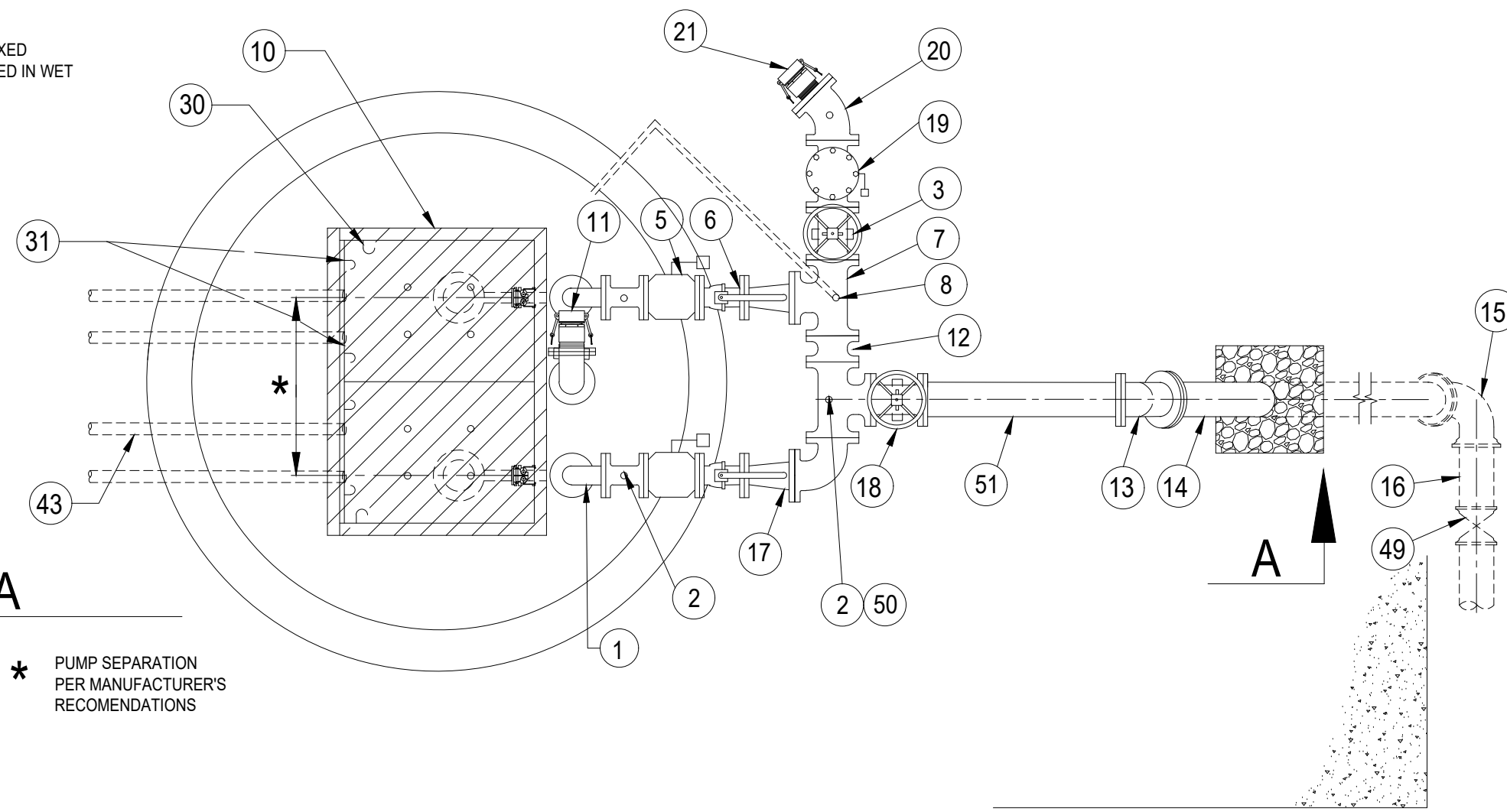


NOTE:
NO PERMANENTLY AFFIXED
LADDERS ARE PERMITTED IN WET
WELL.



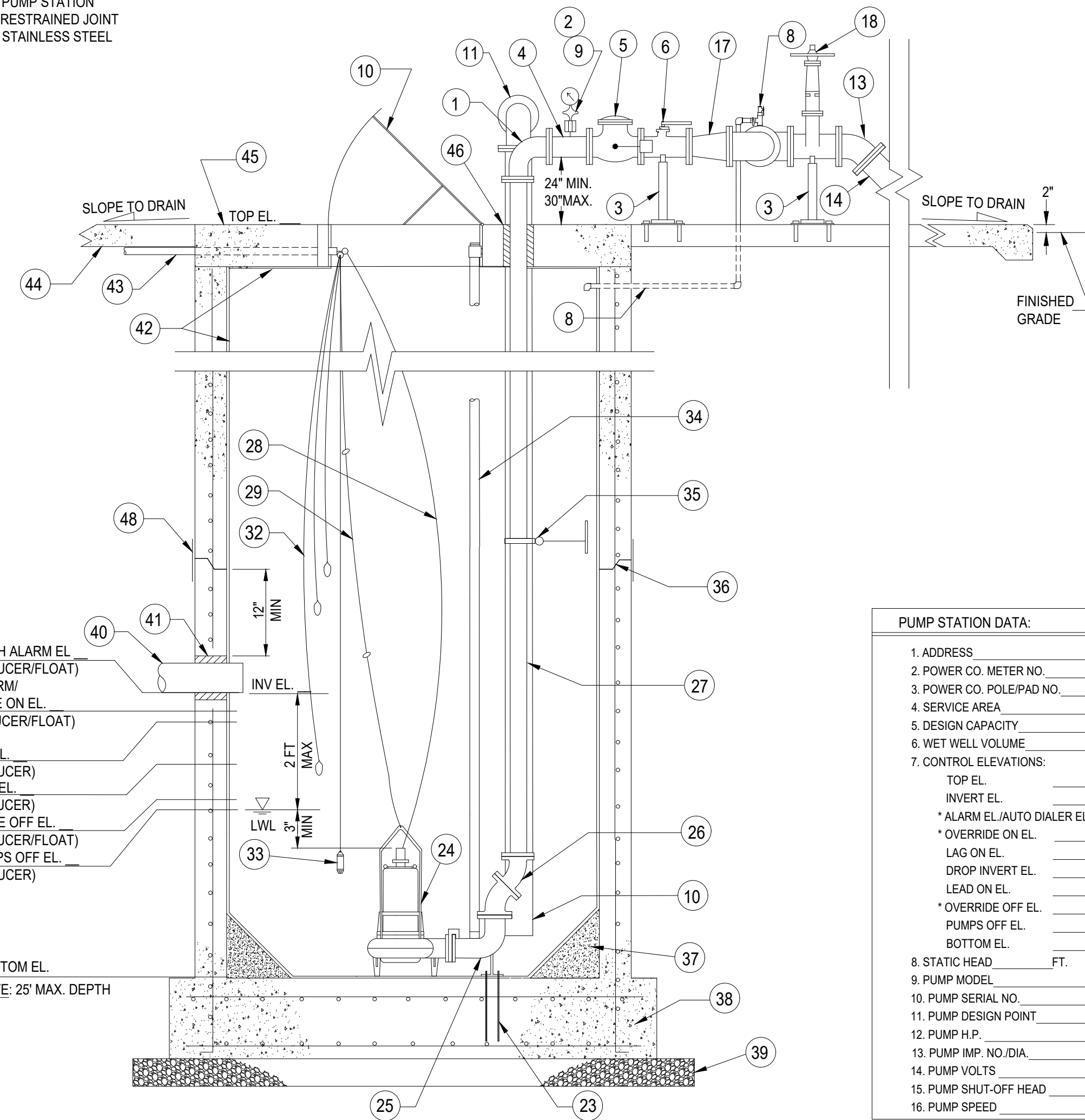
PLAN VIEW
NOT TO SCALE

CAUTION:
COORDINATE PUMP MINIMUM
SPACING W/ DISCHARGE PIPING
LAYOUT

ABBREVIATIONS:

- BFP - BACK-FLOW PREVENTER
- DI - DUCTILE IRON
- FG - FLANGED
- MJ - MECHANICAL JOINT
- PE - PLAIN END
- PS - PUMP STATION
- RJ - RESTRAINED JOINT
- SS - STAINLESS STEEL

LOCKING WASHER REQ'D FOR ALL FG CONNECTIONS
IN WET WELL



SECTION A-A
NOT TO SCALE

- HIGH/HIGH ALARM EL.
(TRANSDUCER/FLOAT)
- HIGH ALARM/
OVERRIDE ON EL.
(TRANSDUCER/FLOAT)
- LAG ON EL.
(TRANSDUCER)
- LEAD ON EL.
(TRANSDUCER)
- OVERRIDE OFF EL.
(TRANSDUCER/FLOAT)
- ALL PUMPS OFF EL.
(TRANSDUCER)

BOTTOM EL.
NOTE: 25' MAX. DEPTH

PUMP STATION DATA:	
1. ADDRESS	_____
2. POWER CO. METER NO.	_____
3. POWER CO. POLE/PAD NO.	_____
4. SERVICE AREA	_____
5. DESIGN CAPACITY _____ GPM	
6. WET WELL VOLUME _____ GALLONS	_____ FT. DIA.
7. CONTROL ELEVATIONS:	
TOP EL.	_____
INVERT EL.	_____
* ALARM EL/AUTO DIALER EL.	_____
* OVERRIDE ON EL.	_____
LAG ON EL.	_____
DROP INVERT EL.	_____ (IF REQUIRED)
LEAD ON EL.	_____
* OVERRIDE OFF EL.	_____
PUMPS OFF EL.	_____
BOTTOM EL.	_____
8. STATIC HEAD _____ FT.	
9. PUMP MODEL	_____
10. PUMP SERIAL NO.	_____
11. PUMP DESIGN POINT _____ GPM @ _____ TDH	
12. PUMP H.P.	_____ PHASE
13. PUMP I.M.P. NO./DIA.	_____
14. PUMP VOLTS _____ AMPS	
15. PUMP SHUT-OFF HEAD _____ FT.	
16. PUMP SPEED _____ RPM	

* LEVEL FLOAT SWITCHES

KEY:

1. 2" FG 90° SS BEND (2 REQ.)
2. 1/2" TAP W/ 1/2" x 2" 316 SS NIPPLE & 1/2" LOCKABLE BALL VALVE W/ SS BALL (4 TYP.)
3. ADJUSTABLE PIPE SUPPORT, SIZED AS REQUIRED (4 REQ.) - SEE DETAIL, DRAWING M3
4. 2" FG SS SPOOL PIECE, LENGTH AS REQUIRED (6" MIN)
5. 2" FG SS SWING CHECK VALVE (2 REQ.)
6. 2" FG SS LOCKABLE BALL VALVE (2 REQ.)
7. 4" x 4" FG DI TEE W/ BOSS FOR TAP (2 REQ.)
8. MANUAL AIR RELEASE ASSEMBLY TO INCLUDE 1" TAP W/ 1" x 2" 316 SS NIPPLE, 1" SS THREADED TEE, 1" x 1/2" SS REDUCING BUSHING, 1/2" SS BALL VALVE W/ 1/2" PVC THREADED PLUG, AND 1" SS BALL VALVE W/ 1" PVC UNDER-SLAB DRAIN - SEE DETAIL, DRAWING M3
9. COMPOUND PRESSURE GAUGE (STAINLESS STEEL, SILICONE FILLED, W/ SILICONE FILLED DIAPHRAGM SEAL), PROVIDE ONE PER STATION.
10. ALUMINUM FRAME & DOUBLE ACCESS HATCH W/ 30" x 36" MIN. OPENING, HINGED ON DISCHARGE PIPING SIDE AND CAPABLE OF BEING SECURED IN THE OPEN POSITION. CONTRACTOR SHALL DRILL EIGHT 1/2" DIA. HOLES IN HATCH COVER.
11. AUXILIARY SUCTION PIPE ASSEMBLY - SEE DETAIL, DRAWING M2 FOR PUMP STATIONS W/ 6" DIA. WET WELLS, AUX. SUCTION PIPE TO BE LOCATED BETWEEN THE DISCHARGE PIPES.
12. 4" FG DIP, LENGTH AS REQUIRED
13. 4" FG 45° BEND
14. 4" FG x PE DIP, LENGTH AS REQUIRED
15. 4" MJ 90° BEND W/ RESTRAINED JOINTS
16. 4" PVC C900 W/ RESTRAINED JOINTS AS REQUIRED (MIN DEPTH OF 48" TO CROWN OF PIPE)
17. 2" x 4" FG SS REDUCER
18. 4" FG RESILIENT SEAT GATE VALVE (2 REQ.)
19. 4" FG SWING CHECK VALVE PER APP. B
20. 4" FG 45° BEND
21. EMERGENCY BYPASS/PUMP-IN 4" CAM LOCK MALE COUPLER W/ CAP, THREADED NIPPLE AND FLANGE
22. OPENING IN CONCRETE SLAB, GRAVEL FILLED - MINIMUM 6" CLEARANCE AROUND PIPE
23. 3/4" DIA. SS ANCHOR BOLTS & NUTS (DOUBLE NUTS) PER PUMP MANUFACTURER'S RECOMMENDATIONS, EPOXIED INTO BASE SLAB
24. PUMP - GRINDER W/ FRONT LOAD RAIL SYSTEM (2 REQ.)
25. BASE ELBOW TO BE PROVIDED BY PUMP SUPPLIER (2 REQ.), OUTLET TO HAVE THREADED NIPPLE AND FLANGE.
26. 2" FG 45° BEND (2 - AS REQUIRED FOR OFFSET IN WET WELL), LOCKING WASHER REQ'D FOR ALL FG CONNECTIONS IN WET WELL.
27. 2" 316L SS SCHEDULE 40 FLANGED DISCHARGE PIPING, LENGTH AS REQUIRED. LOCKING WASHER REQ'D FOR ALL FG CONNECTIONS IN WET WELL.
28. POWER CABLES TO PUMPS
29. PUMP LIFTING CABLES (3/8" 316 SS) W/ 4" 316 SS RINGS LOCATED @ 5-FT INTERVALS
30. 316 SS POWER CABLE HOOKS - SEE DETAIL, DRAWING M2
31. 316 SS CONTROL CABLE HANGER FOR LEVEL TRANSDUCER AND FLOAT SWITCH CABLES - SEE DETAIL, DRAWING M2
32. LEVEL FLOAT SWITCHES (3 MIN.), TO SERVE AS BACK-UP LEVEL SENSORS TO PRESSURE TRANSDUCER
33. PRESSURE TRANSDUCER FOR WATER LEVEL CONTROL, SUSPENDED FROM CONTROL CABLE HOOK. SET AT 18 INCHES ABOVE BOTTOM
34. 3/4" (O.D.) 316 SS GUIDE RAILS, FRONT MOUNT (2 PER PUMP), OR PER PUMP MANUFACTURER'S RECOMMENDATION
35. 316 SS INTERIOR PIPE SUPPORT - SEE DETAIL, DRAWING M3
36. ELASTOMERIC GASKET
37. NON-SHRINK GROUT FILLET ALL AROUND, 4000 PSI CONCRETE W/ MAX AGGREGATE SIZE OF 3/8" & MIN. SLOPE OF 1:1 (MAX WIDTH/HGT. OF 2-FT), TO BE COATED W/ INTERIOR WET WELL PROTECTIVE COATING (SEE #42)
38. FIRST WET WELL RISER SECTION & BASE SLAB SHALL BE MONOLITHICALLY OR INTEGRALLY CAST PER ASTM C478 - REFER TO STRUCTURAL DRAWING S1-S4
39. LEVEL COURSE OF CRUSHED STONE - 6" MIN. THICKNESS
40. PVC, C900 INFLUENT GRAVITY MAIN, TO EXTEND 4" INSIDE WET WELL
41. FLEXIBLE SEAL
42. WET WELL INTERIOR PROTECTIVE COATING
43. ELECTRICAL CONDUITS (SCH 80 PVC, 2" MIN.), INSTALLED UNDER GRADE SLAB AND CENTERED IN WET WELL TOP SLAB, FOUR TOTAL - SEE ELECTRICAL DETAILS AND STRUCTURAL DRAWING S1-S4
44. GRADE SLAB - REFER TO STRUCTURAL DRAWING S1-S4
45. WET WELL TOP SLAB - REFER TO STRUCTURAL DRAWING S1-S4
46. LINK SEAL
47. 1" BRASS WATER SERVICE W/ APPROVED BFP AND METER - SEE DETAIL, DRAWING M2
48. WRAP APPLIED AT EXTERIOR OF WET WELL JOINTS
49. 4" MJ PLUG VALVE W/ RJ - ISOLATION VALVE, TO BE LOCATED ON PUMP STATION PROPERTY AT RIGHT OF WAY.
50. ELECTRONIC PRESSURE TRANSMITTER WITH DIAPHRAGM SEAL (SILICONE FILLED).
51. 4" FG DI PIPE, LENGTH 36"

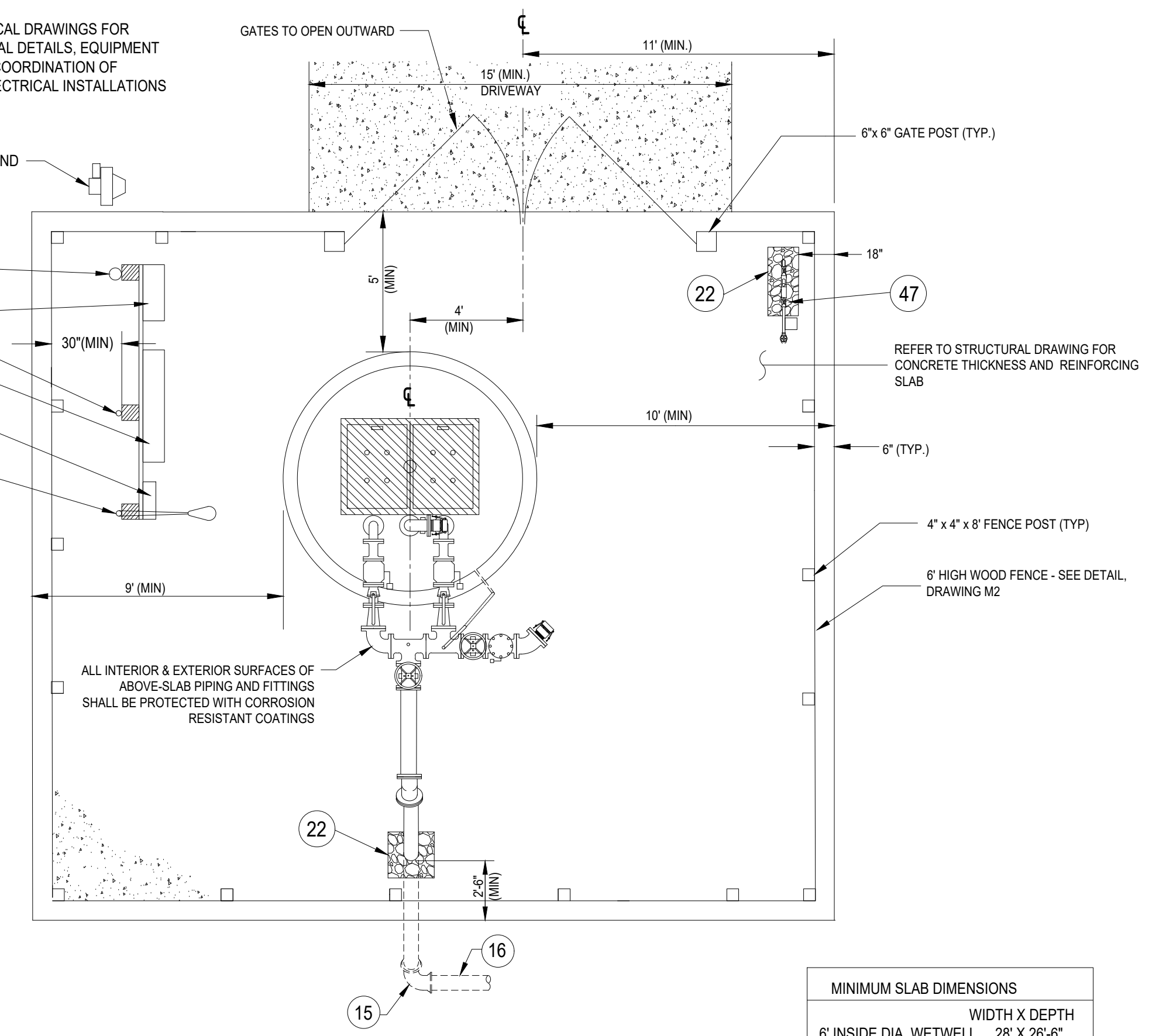
NOTE: REFER TO TECHNICAL MANUAL AND/OR TECHNICAL SPECIFICATIONS AS APPLICABLE FOR MATERIALS REQUIREMENTS AND THE LIST OF APPROVED PRODUCTS

PUMP STATION DESIGN NOTES (TYP):

1. IN ORDER TO COORDINATE THE MECHANICAL, ELECTRICAL AND STRUCTURAL INSTALLATION, THE DESIGN ENGINEER SHALL REFER TO HILLSBOROUGH COUNTY'S MECHANICAL DRAWINGS (M1-M3), ELECTRICAL DRAWINGS (E 0.0-E 5.0), STRUCTURAL DRAWINGS (S1-S4) AND THE "HC WATER, WASTEWATER & RECLAIMED WATER TECHNICAL MANUAL FOR SUBDIVISION AND SITE DEVELOPMENT" (LATEST EDITION), AND THE "HC WATER, WASTEWATER & RECLAIMED WATER TECHNICAL SPECIFICATIONS" (LATEST EDITION).
2. THE DESIGN ENGINEER SHALL NOT USE THESE DRAWINGS FOR A SPECIFIC SITE INSTALLATION. A DETAILED SITE PLAN SHALL BE SHOWN IN THE BOX PROVIDED ON THIS SHEET, OR ON A SEPARATE SHEET AS NEEDED. THE SITE PLAN SHALL BE DRAWN TO SCALE AND INCLUDE CRITICAL SITE ELEVATIONS (SUCH AS ROAD, SLAB, DRIVEWAY, AND SURROUNDING AREAS - INCLUDING FINISHED FLOOR OF BUILDINGS ON ADJACENT LOTS), DIMENSIONS, HARDSCAPE ELEMENTS, AND THE PUMP STATION'S RELATIONSHIP TO THE SURROUNDING AREA.
3. THESE DRAWINGS REPRESENT THE STANDARD DESIGN FOR ALL HILLSBOROUGH COUNTY WASTEWATER PUMPING STATIONS. IT WAS DEVELOPED TO IMPROVE RELIABILITY AND MAINTAINABILITY, MINIMIZE SPARE PARTS AND INCREASE SERVICE LIFE. ALL REQUESTS FOR DEVIATIONS FROM THIS STANDARD MUST BE MADE IN WRITING TO THE DEVELOPMENT SERVICES DEPARTMENT FOR SUBDIVISION AND SITE DEVELOPMENT; AND TO THE PUBLIC UTILITIES DEPARTMENT (PUD) PROJECT MANAGER FOR ALL CAPITAL IMPROVEMENT PROJECTS. WRITTEN APPROVAL FROM PUD UTILITY DESIGN SECTION MGR. IS REQUIRED BEFORE MODIFICATIONS ARE MADE.
4. THE ENGINEER IS RESPONSIBLE FOR COORDINATING WITH THE PUMP SUPPLIER TO ENSURE THAT PROPER PUMP AND PIPE SPACING IS ACCOMMODATED.
5. PUMP STATION SLAB DIMENSIONS SHALL MEET OR EXCEED MINIMUM SHOWN.
6. THE ENGINEER IS ADVISED THAT COUNTY APPROVAL OF THE PUMP STATION DESIGN DOES NOT CONSTITUTE A RELEASE FROM PROFESSIONAL LIABILITY BY THE ENGINEER NOR SHIFT RESPONSIBILITY FOR ANY DESIGN DECISIONS REPRESENTED HEREIN TO THE COUNTY OR OTHER REGULATORY AGENCY. THE ENGINEER IS RESPONSIBLE FOR THE FINAL ELECTRICAL, MECHANICAL, AND STRUCTURAL DESIGNS.
7. DISCHARGE PIPE SUPPORTS ARE REQUIRED FOR WET WELL DEPTHS GREATER THAN 10 FEET.
8. IF THE INFLUENT INVERT ELEVATION IS GREATER THAN 2-FEET ABOVE THE LOW WATER LEVEL (LWL), A DROP INVERT CONNECTION SHALL BE REQUIRED, DROP INVERT TO BE SET AT THE LEAD-ON ELEVATION (SEE DROP CONNECTION DETAIL, DRAWINGS S2, S4 & M3).
9. LOW WATER LEVEL MUST BE AT LEAST 3" ABOVE TOP OF PUMP. FILL IN THE FOLLOWING INFORMATION: (INSTALLED HEIGHT (PER PUMP MFR.) + 3" = ___ FT) ≤ (LWL - BOTTOM EL. = ___ FT)

* REFER TO ELECTRICAL DRAWINGS FOR STANDARD ELECTRICAL DETAILS, EQUIPMENT REQUIRED AND FOR COORDINATION OF MECHANICAL AND ELECTRICAL INSTALLATIONS

- * ELECTRIC METER AND ALARM SILENCER
- * ALARM HORN & BEACON
- * JB1 & JB4
- * CELLULAR ANTENNA
- * RTU/CONTROL PANEL
- * MAIN DISCONNECT
- * AREA LIGHT



STANDARD FOOTPRINT - MIN. DIMENSIONS

SCALE: 1" = 4'-0"

MINIMUM SLAB DIMENSIONS	
WIDTH X DEPTH	
6" INSIDE DIA. WETWELL ... 28' X 26'-6"	

SHOW TO SCALE AND INCLUDE ELEVATIONS AS TO ROAD, SLAB, DRIVEWAY AND SURROUNDING AREAS.

DETAILED SITE PLAN
(BY ENGINEER) SCALE: 1"=

REV. NO.	DESCRIPTION	DATE
1	REVISED SLAB DIMENSIONS	10/28/21

SEAL

SEAL

SEAL



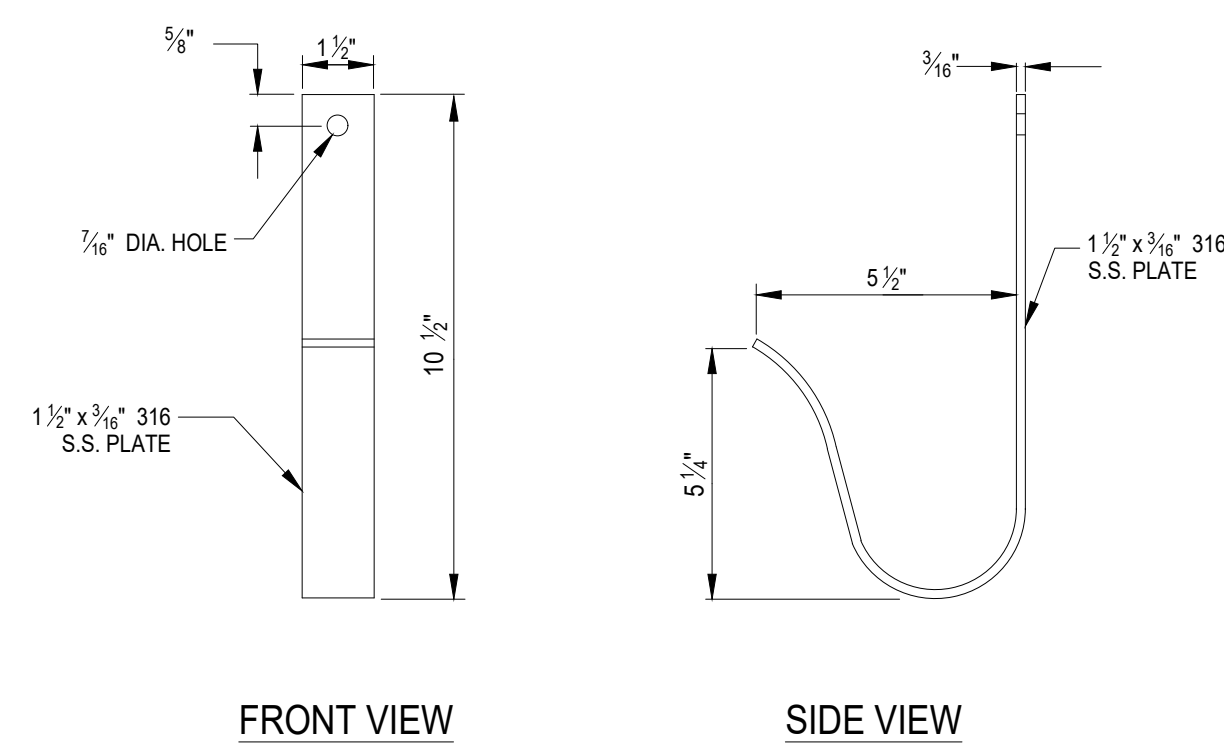
Hillsborough County Florida

PUBLIC UTILITIES DEPARTMENT
TECHNICAL SERVICES DIVISION
925 E. TWIGGS STREET/TAMPA, FLORIDA 33602/PH. (813) 272-5977

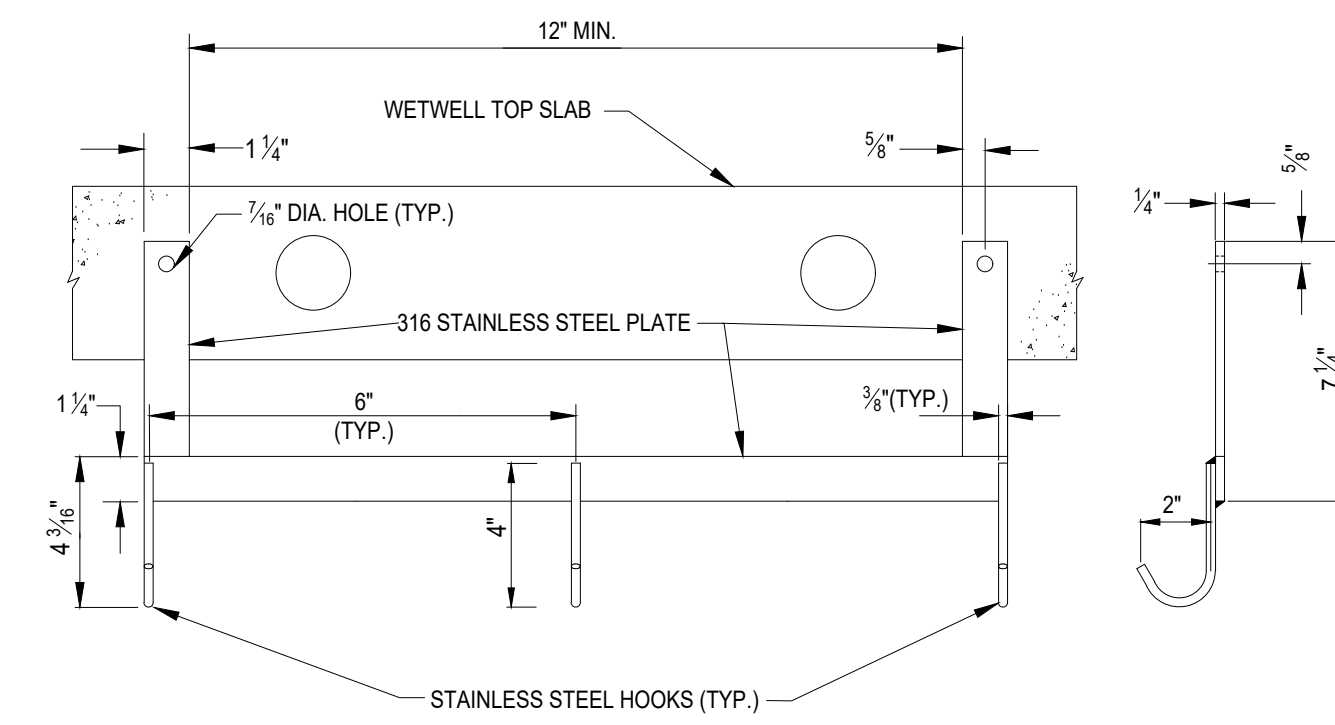
STANDARD WASTEWATER
GRINDER PUMP STATION
MECHANICAL LAYOUT AND SITE PLAN

DATE: OCTOBER 28, 2021	SCALE	FILE NUMBER
PROJ. #	HORIZONTAL:	DRAWING NUMBER
DRAWN	VERTICAL:	M1
DESIGNED	NA	
CHECKED		
PROJ. MGR.		

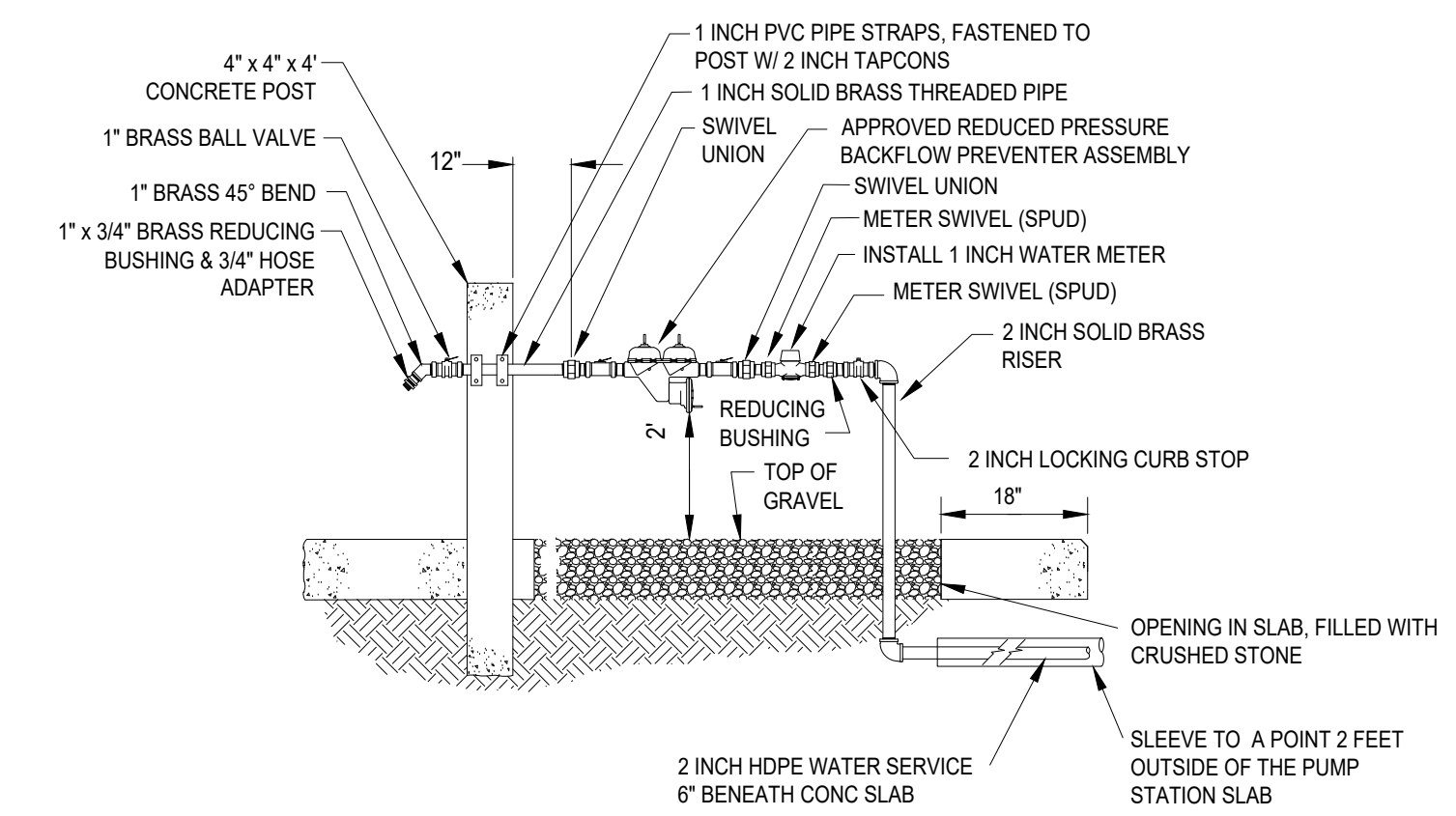
STATUS: FINAL DESIGN



POWER & TRANSDUCER CABLE HOOK DETAIL
NOT TO SCALE



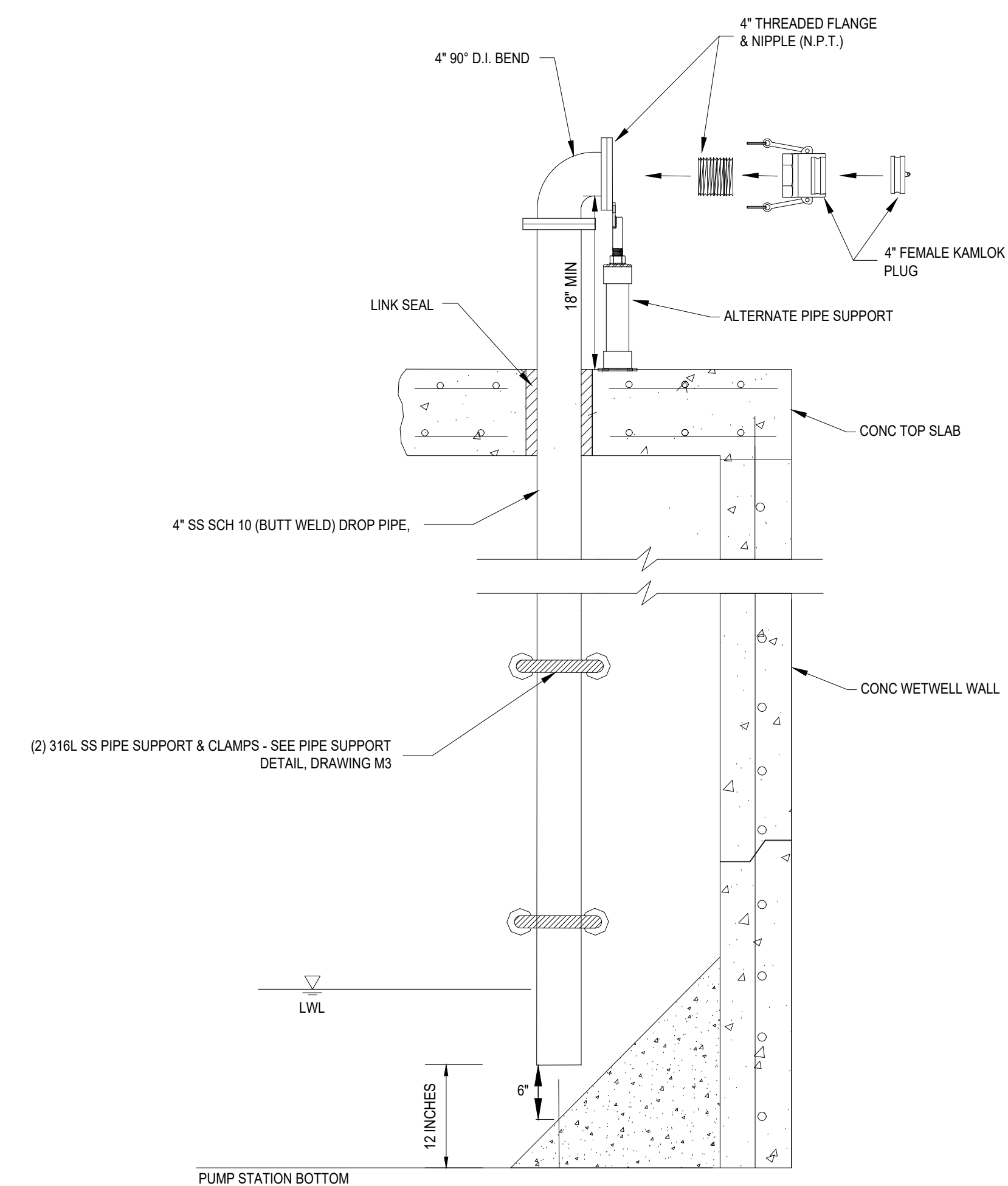
LEVEL CABLE HANGER DETAIL
NOT TO SCALE



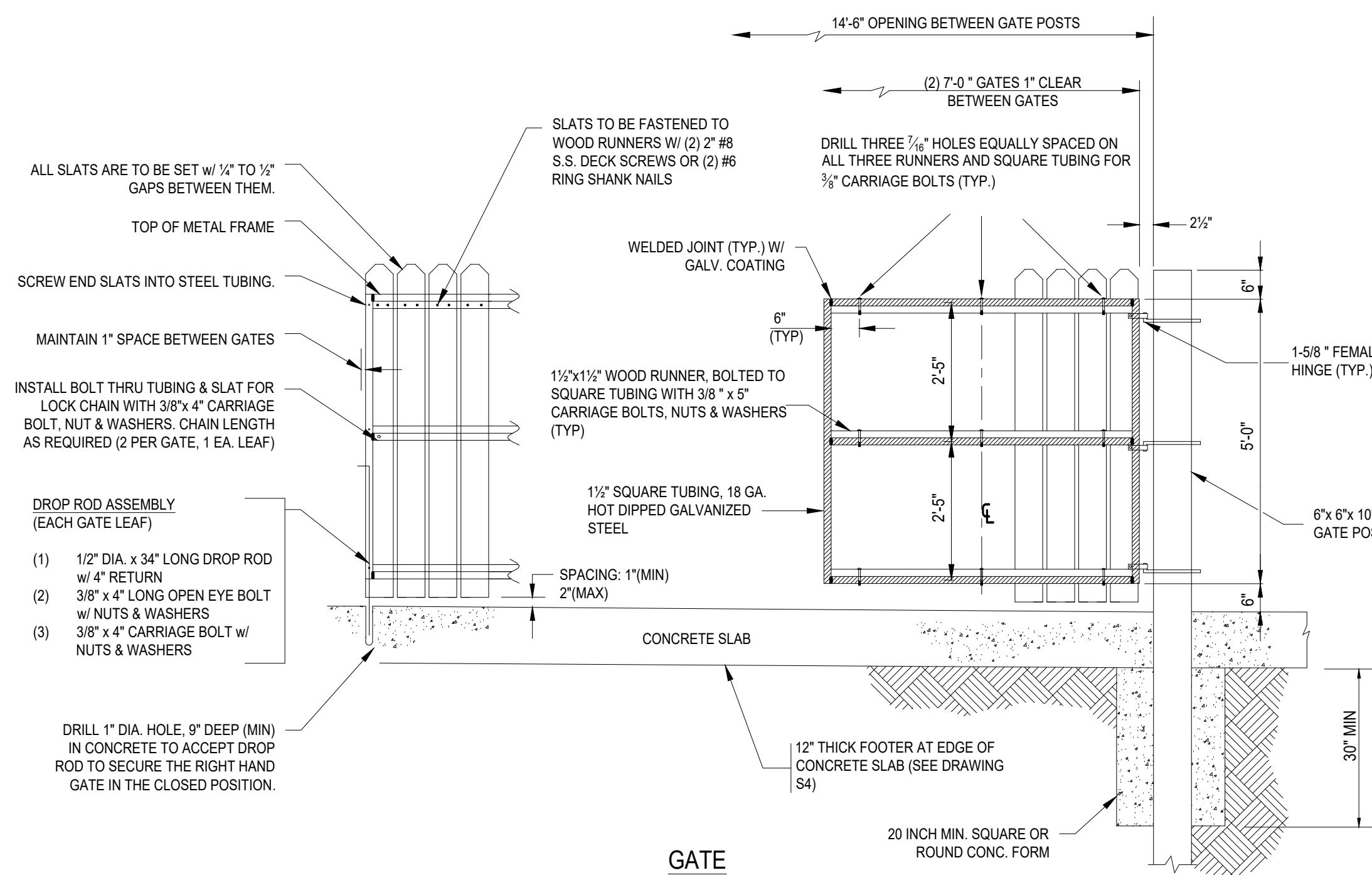
NOTES:

- ALL PIPING TO BE 2-INCHES UP THROUGH THE LOCKING CURB STOP.
- 2 INCH SERVICE LINE SHALL USE A 2 INCH TAPPING SLEEVE & VALVE AT THE WATER MAIN CONNECTION.
- FOR LARGE PUMP STATIONS (WET WELLS 10 FT. DIA. OR GREATER, OR 20 FT. OR MORE DEPTH), A 2 INCH WATER METER AND SERVICE SHALL BE PROVIDED. HOSE CONNECTION TO BE 2 INCH MALE CAMLOCK CONNECTOR.

WATER SERVICE DETAIL
NOT TO SCALE



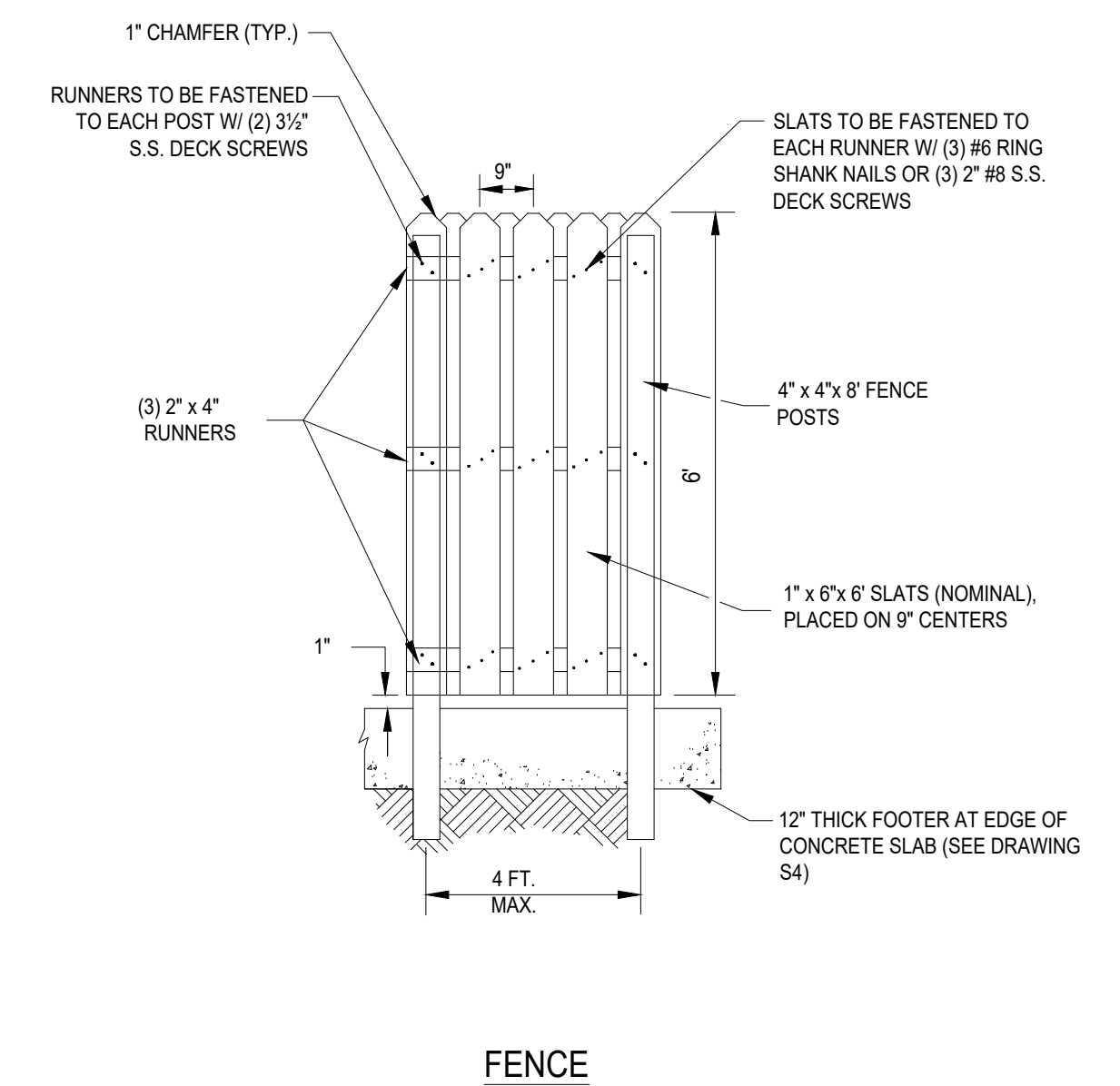
AUX. SUCTION PIPE DETAIL
NOT TO SCALE



FENCE & GATE CONSTRUCTION NOTES

- ALL WOOD SHALL BE PRESSURE TREATED. POSTS SHALL BE RATED FOR BURIED WOOD.
- ALL STRUCTURAL MEMBERS AND CROSS BRACING AS SHOWN.
- CROSS BRACING SHALL BE ON INSIDE OF GATE.
- USE HOT DIP GALVANIZED OR STAINLESS STEEL HARDWARE, FASTENERS, DROP RODS, CABLES, ETC. FOR ALL FENCE AND GATE CONSTRUCTION.
- ALL NAIL & SCREW HEADS SHALL BE SET FLUSH W/ WOOD SURFACE (NOT COUNTER-SUNK).
- USE TAMPER PROOF HEAVY DUTY HINGES AND LATCHES ON GATE (MINIMUM OF THREE HINGES PER GATE LEAF).
- SOME PUMP STATION LOCATIONS MAY REQUIRE ARCHITECTURAL STYLE FENCING - CONSULT COUNTY.

PUMP STATION ENCLOSURE DETAIL
NOT TO SCALE



FENCE

INSTALLATION NOTE:
CONTRACTOR TO REFER TO DRAWINGS M1-M3, E 0.0-E 5.0 AND S1-S4 IN ORDER TO COORDINATE ALL MECHANICAL, ELECTRICAL AND STRUCTURAL INSTALLATIONS.

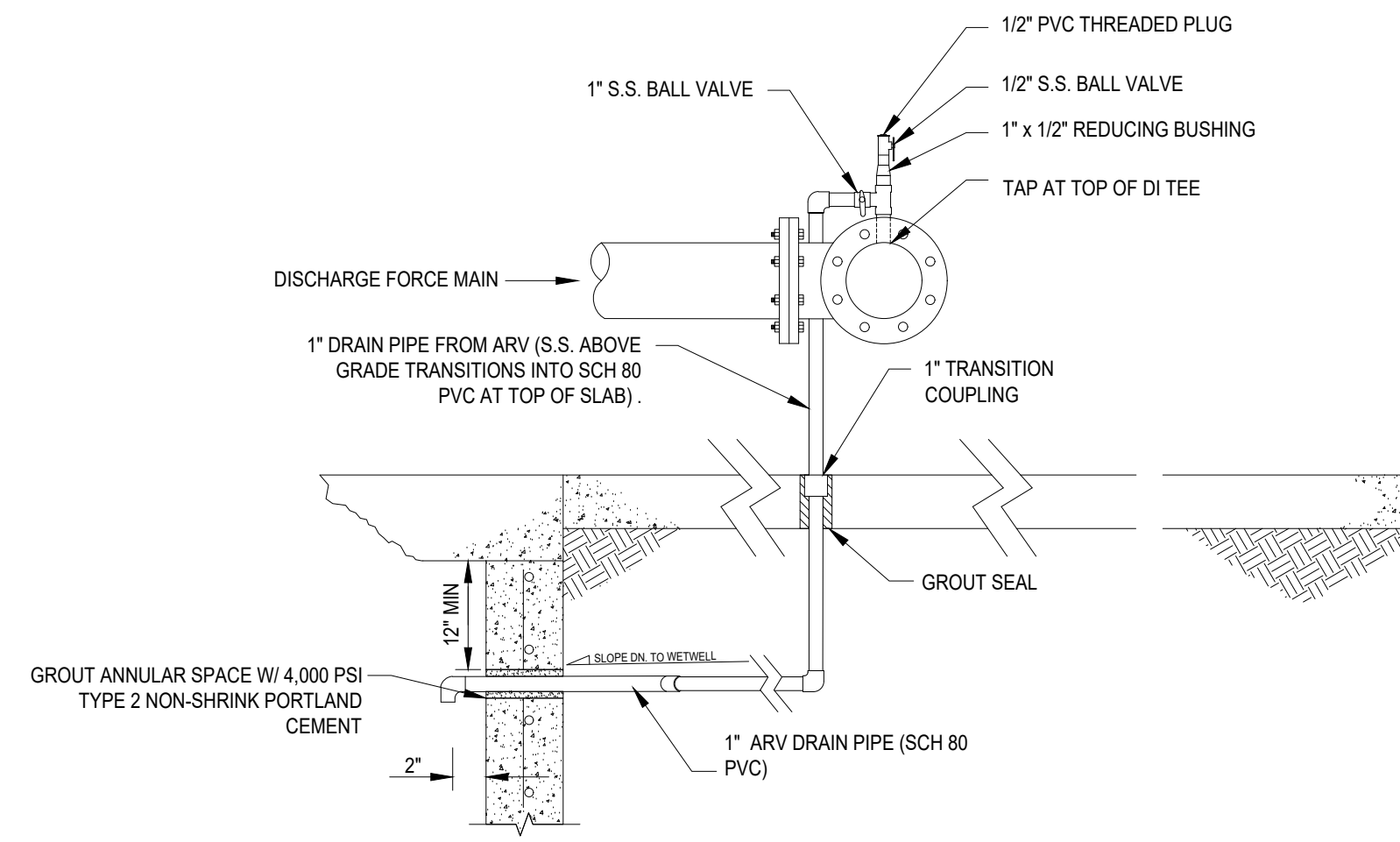
REV. NO.	DESCRIPTIONS / REVISIONS	DATE



PUBLIC UTILITIES DEPARTMENT
TECHNICAL SERVICES DIVISION
925 E. TWIGGS STREET / TAMPA FLORIDA 33602/PH. (813) 272-5977

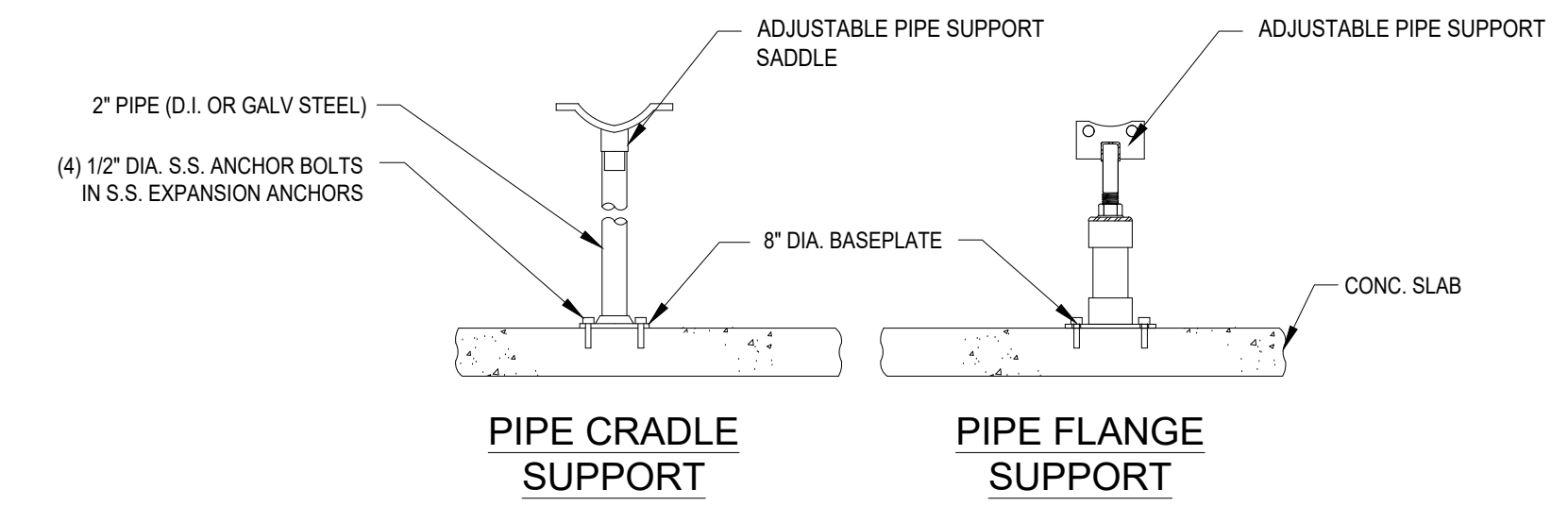
STANDARD WASTEWATER
GRINDER PUMP STATION
MECHANICAL DETAILS

DATE: OCTOBER 29 2021	SCALE	FILE NUMBER
PROJ. #	HORIZONTAL:	DRAWING NUMBER
DRAWN	VERTICAL:	M2
DESIGNED	NA	
CHECKED		
PROJ. MGR.		
STATUS: FINAL DESIGN		



ARV DRAIN PIPE ASSY.

NOT TO SCALE

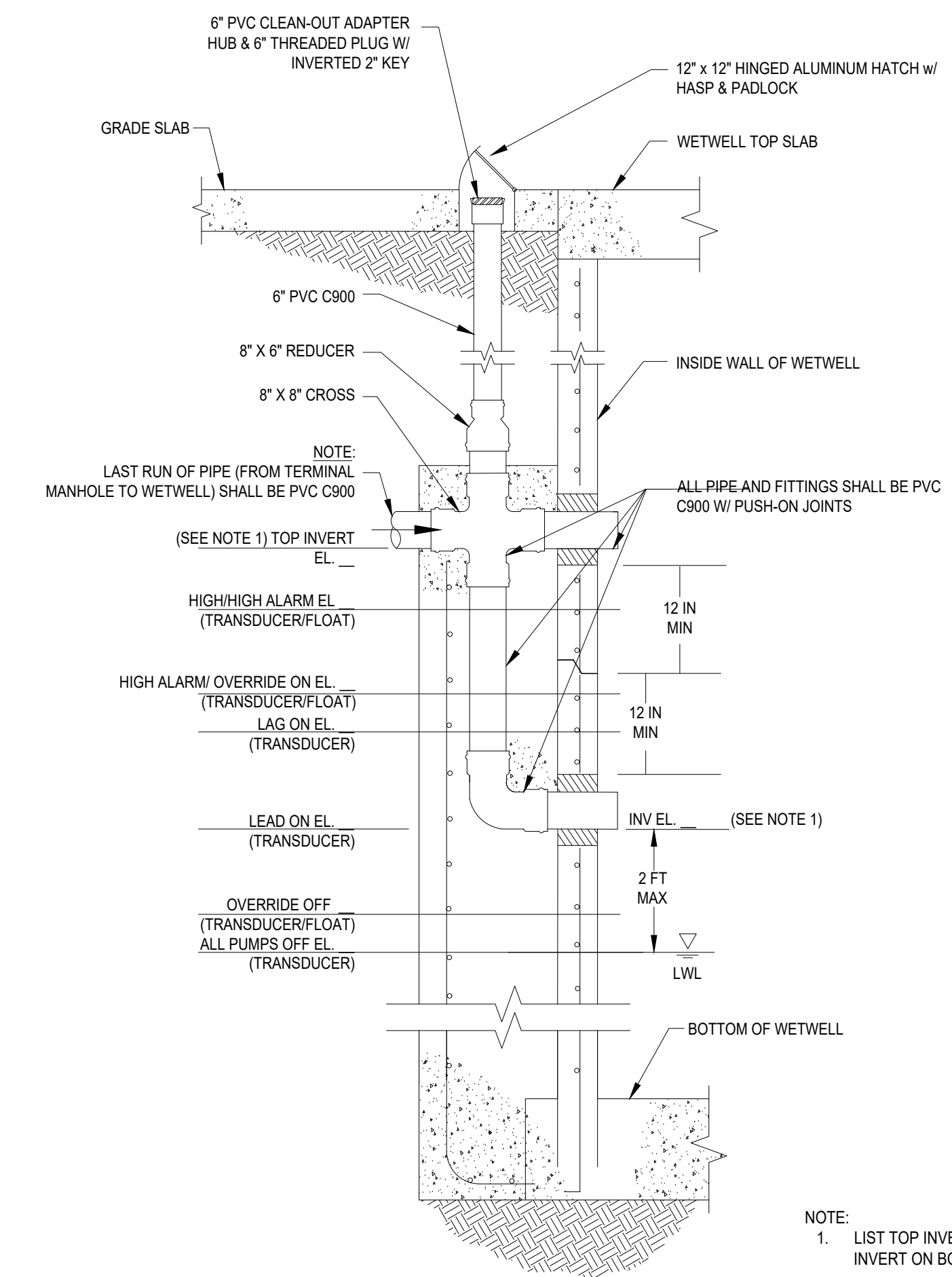


PIPE CRADLE SUPPORT

PIPE FLANGE SUPPORT

EXTERIOR PIPE SUPPORT DETAIL

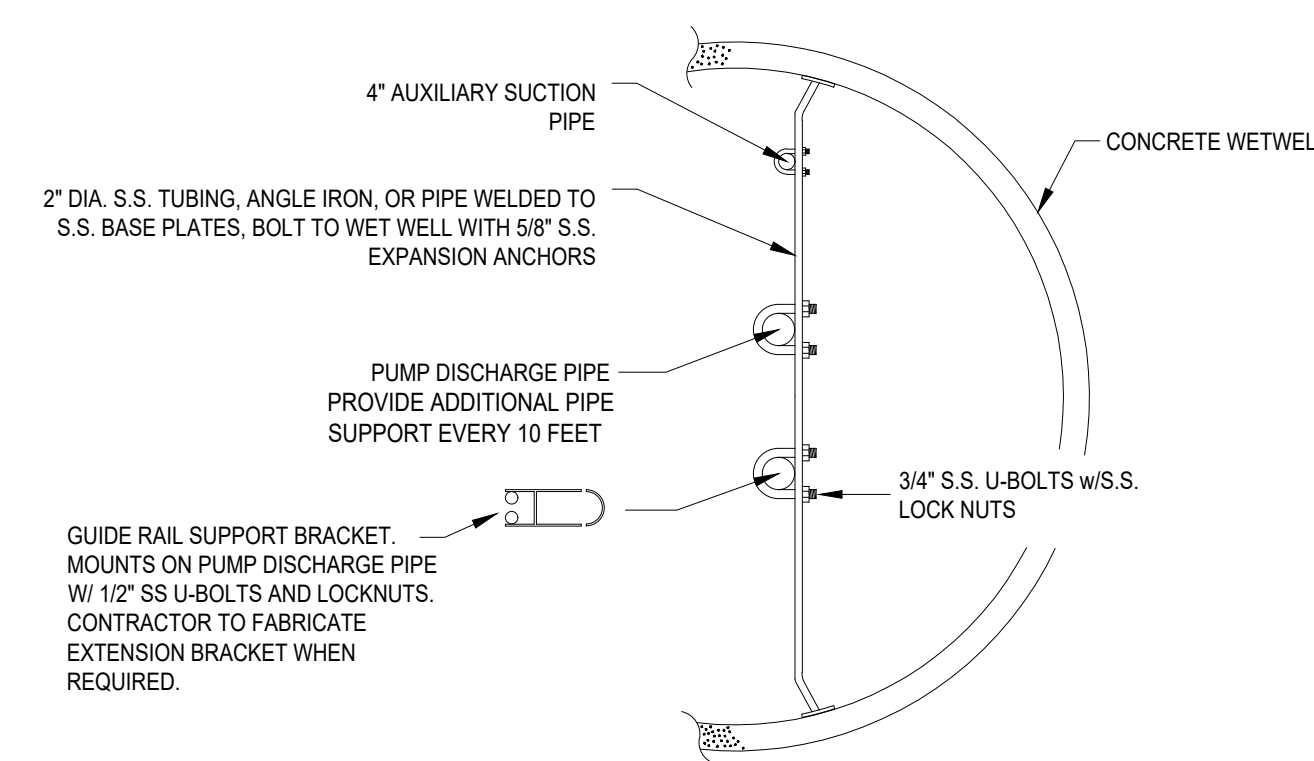
NOT TO SCALE



- NOTE:
1. LIST TOP INVERT AND DROP PIPE INVERT ON BOTH M1 AND M3
 2. FOR STRUCTURAL STEEL INFO SEE DRAWING S2 & S4. DROP CONNECTION ENCASMENT DETAIL

DROP CONNECTION DETAIL

NOT TO SCALE



INTERIOR PIPE & GUIDE RAIL SUPPORTS - TOP VIEW

NOT TO SCALE

INSTALLATION NOTE:
 CONTRACTOR TO REFER TO DRAWINGS M1, M2, M3, E 0-D-E 5.0, AND S1-S4 IN ORDER TO COORDINATE ALL MECHANICAL, ELECTRICAL AND STRUCTURAL INSTALLATIONS.

REV. NO.	DESCRIPTIONS / REVISIONS	DATE

SEAL	SEAL	
------	------	--

Hillsborough County Florida
 PUBLIC UTILITIES DEPARTMENT
 TECHNICAL SERVICES DIVISION
 925 E. THIGGS STREET/TAMPA FLORIDA 33602/PH. (813) 272-5977

STANDARD WASTEWATER GRINDER PUMP STATION

MECHANICAL DETAILS

DATE: OCTOBER 28 2021	SCALE	FILE NUMBER
PROJ. #	HORIZONTAL:	DRAWING NUMBER
DRAWN	VERTICAL:	M3
DESIGNED	NA	
CHECKED		
PROJ. MGR.		
STATUS: FINAL DESIGN		